

1.2 SPECIFICATIONS (Cont.)

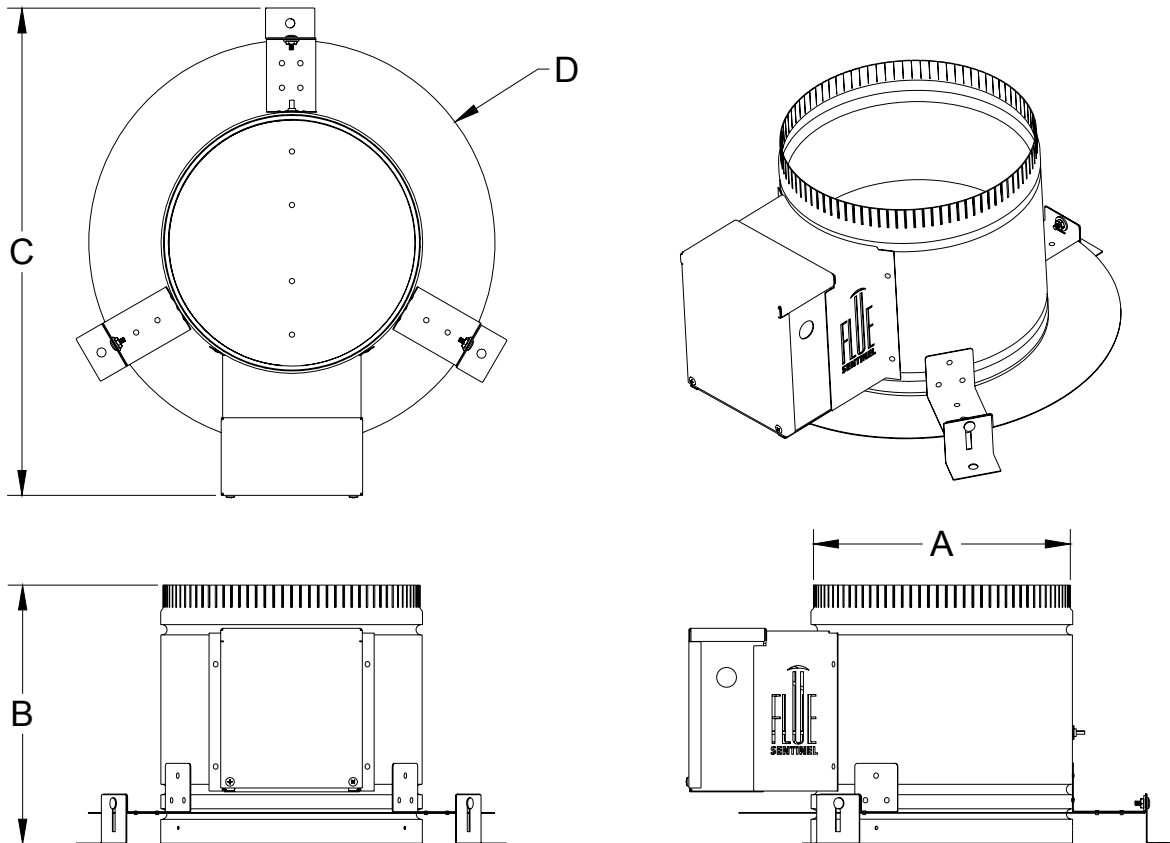


Table 2. Flue Sentinel Dimensions*

PART NO.	DIM. A	DIM. B	DIM. C	DIM. D
FS-8	7.5	10.5	15.25	13.5
FS-9	8.5	10.5	18.0	14.5
FS-10	9.5	10.5	19.0	15.5
FS-11	10.5	10.5	20.0	16.5
FS-12	11.5	10.5	21.0	17.5
FS-13	12.5	12.5	22.0	18.5
FS-14	13.5	12.5	23.0	19.5
FS-15	14.5	12.5	24.0	20.5
FS-16	15.5	12.5	25.0	21.5

*All dimensions are in inches.